

## Switching power supply 24W - 4,5/5/6/7,5/9/10/12Vdc 2A - 6 connectors



### KD2510/2

#### General characteristics

Technology: switching  
Construction: plugin  
Regulation type: CV  
Insulation class: II  
Protection grade: IP20

#### Electrical characteristics

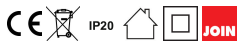
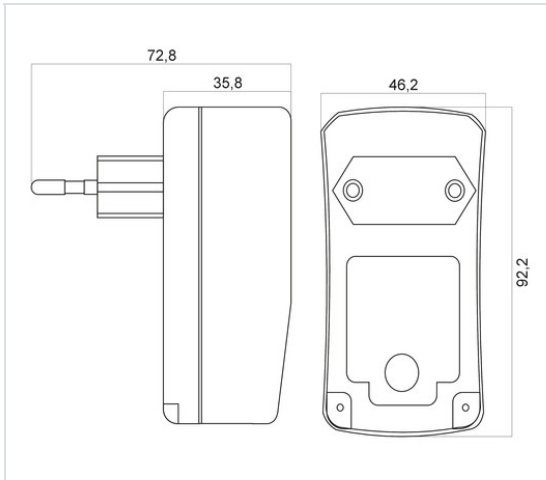
Output regulation: manual switch  
AC Input voltage: 100-240Vac  
Input voltage tolerance: -10% +6%  
Frequency: 50/60Hz  
Power: 24W  
Corrente d'uscita: 2000mA  
Tensione d'uscita: 4.5 - 12V  
Load regulation:  $\pm 5\%$   
Line regulation:  $\pm 5\%$   
Output voltage tolerance:  $\pm 5\%$   
Ripple:  $< 150\text{mV}$   
Protections: sovraccarico, sovratemperatura, corto circuito

#### Mechanical characteristics

Dimensions (LxWxH): 93 x 45.5 x 73mm  
Cooling: passive  
Housing material: Plastico  
Color: Black  
Connections: interchangeable connector  
Output cable: integrato 1m  
Connectors: 5,5x2,1mm, 5,5x2,5mm, 4,0x1,7mm, 3,5mm, 3,5x1,35mm, 2,35x0,7mm  
Polarity: reversible

#### Thermal characteristics

Working temperature: -10/30 °C



#### KD2510/2

ALIM.SWITCH.3-4,5-5-6-7,5-9-12V 2250mA

Confezione: Scatola appendibile da 1pz.

Imballo: Scatola da 25 scatole

Prezzo per: unità

Multiplo di vendita: 1pz.



## Connectors

