



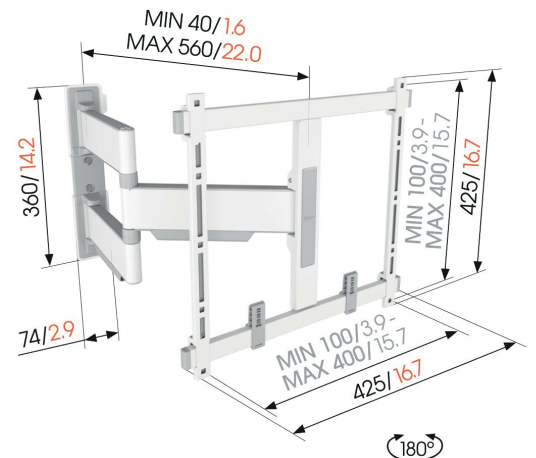
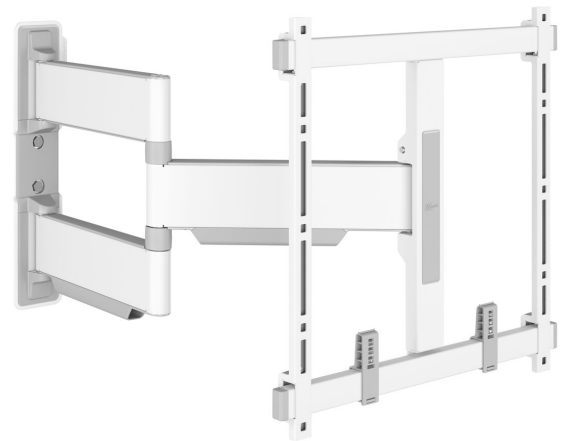
## TVM 5445 Full-Motion TV Wall Mount (white)

### Key Benefits

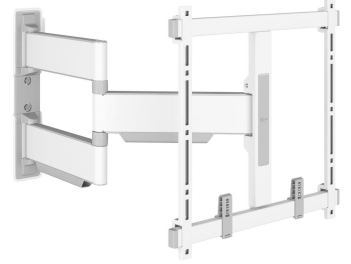
- Ultra slim and strong - Only 4 cm from the wall, ideal for large OLED/QLED TVs
- Smooth OneFinger™ Movement - Thanks to coated bearings and precision steel shafts
- Perfectly level installation - Free spirit level included
- 2D-Levelling: Keep your TV always level - Precise after-installation leveling (horizontally and vertically)
- Protective TV patches - Protect the rear of your TV with soft protective patches

### Full-motion, ultra-slim TV wall mount for high-end TVs from 32 to 65 inches

With the elegant ELITE Full-Motion+ TV wall mount, you're choosing design and performance. The wall mount is specially designed for TVs from 32 to 65 inches in size and weighing up to 35 kg, and can be turned up to 180°, allowing you to optimally enjoy your TV from any corner in the room. In the starting position, there is only 4 cm between the TV and the wall. Available in White and Platinum Grey colours.



mm/inch  
VESA mounting holes



## TVM 5445 Full-Motion TV Wall Mount (white)

# Specifications

Article number (SKU)	5854451
Colour	White
EAN single box	8712285355028
Product size	M
TÜV certified	Yes
Turn	Full motion (up to 180°)
Guarantee	15 years
Min. screen size (inch)	32
Max. screen size (inch)	65
Max. weight load (kg/Lbs)	35 / 77.16
Max. bolt size	M8
Max. height of interface (mm)	425
Max. width of interface (mm)	460
Cable management	Cable fingers for cable management on the back of your TV CIS® Cable Inlay System
Certifications	TÜV
Max. distance to the wall (mm / inch)	562 / 22.13
Max. horizontal hole pattern (mm)	400
Max. vertical hole pattern (mm)	400
Min. distance to the wall (mm / inch)	40 / 1.57
Min. horizontal hole pattern (mm)	100
Min. vertical hole pattern (mm)	100
Number of pivot points	3
Spirit level included	Yes

VOGEL'S HOLDING BV (©)

All rights reserved.  
Subject to printing errors,  
technical and price  
amendments.

Date: 2023-01-29



**Vogel's.** For Sure.